

# PRODUCT INFORMATION PACKET



Model No: 5K49UN4086X

Catalog No: 5K49UN4086X

Fan and Blower Motor, 2 HP, 3 Ph, 60 Hz, 208-230/460 V, 1800 RPM, 56H Frame, DP



Regal and Leeson are trademarks of Regal Rexnord Corporation or one of its affiliated companies.

©2024 Regal Rexnord Corporation, All Rights Reserved. MC017097E





### Nameplate Specifications

Phase	<b>3</b>	Output HP	<b>2 Hp</b>
Output KW	<b>1.5 kW</b>	Voltage	<b>208-230/460 V</b>
Speed	<b>1725 rpm</b>	Service Factor	<b>1.15</b>
Frame	<b>56H</b>	Enclosure	<b>Drip Proof</b>
Thermal Protection	<b>Automatic</b>	Efficiency	<b>81.8 %</b>
Ambient Temperature	<b>40 °C</b>	Frequency	<b>60 Hz</b>
Current	<b>6.2-6.0,3.0 A</b>	Power Factor	<b>0</b>
Duty	<b>Continuous</b>	Insulation Class	<b>B</b>
Design Code	<b>B</b>	KVA Code	<b>K</b>
Drive End Bearing Size	<b>6205</b>	Opp Drive End Bearing Size	<b>6203</b>
UL	<b>Recognized</b>	CSA	<b>Yes</b>
CE	<b>N</b>	Number of Speeds	<b>1</b>

### Technical Specifications

Electrical Type	<b>Three Phase</b>	Starting Method	<b>N/R</b>
Poles	<b>4</b>	Rotation	<b>Counterclockwise/Clockwise</b>
Mounting	<b>Resilient Base</b>	Motor Orientation	<b>ANY</b>
Drive End Bearing	<b>BALL</b>	Opp Drive End Bearing	<b>Ball</b>
Frame Material	<b>Rolled Steel</b>	Overall Length	<b>13.96 in</b>
Frame Length	<b>9.63 in</b>	Shaft Diameter	<b>0.630 in</b>
Shaft Extension	<b>1.88 in</b>		
Outline Drawing	<b>52A109601P1</b>	Connection Drawing	<b>113A423</b>

This is an uncontrolled document once printed or downloaded and is subject to change without notice. Date Created:09/18/2024

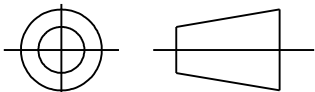
SHEET

REV

52A109601 3

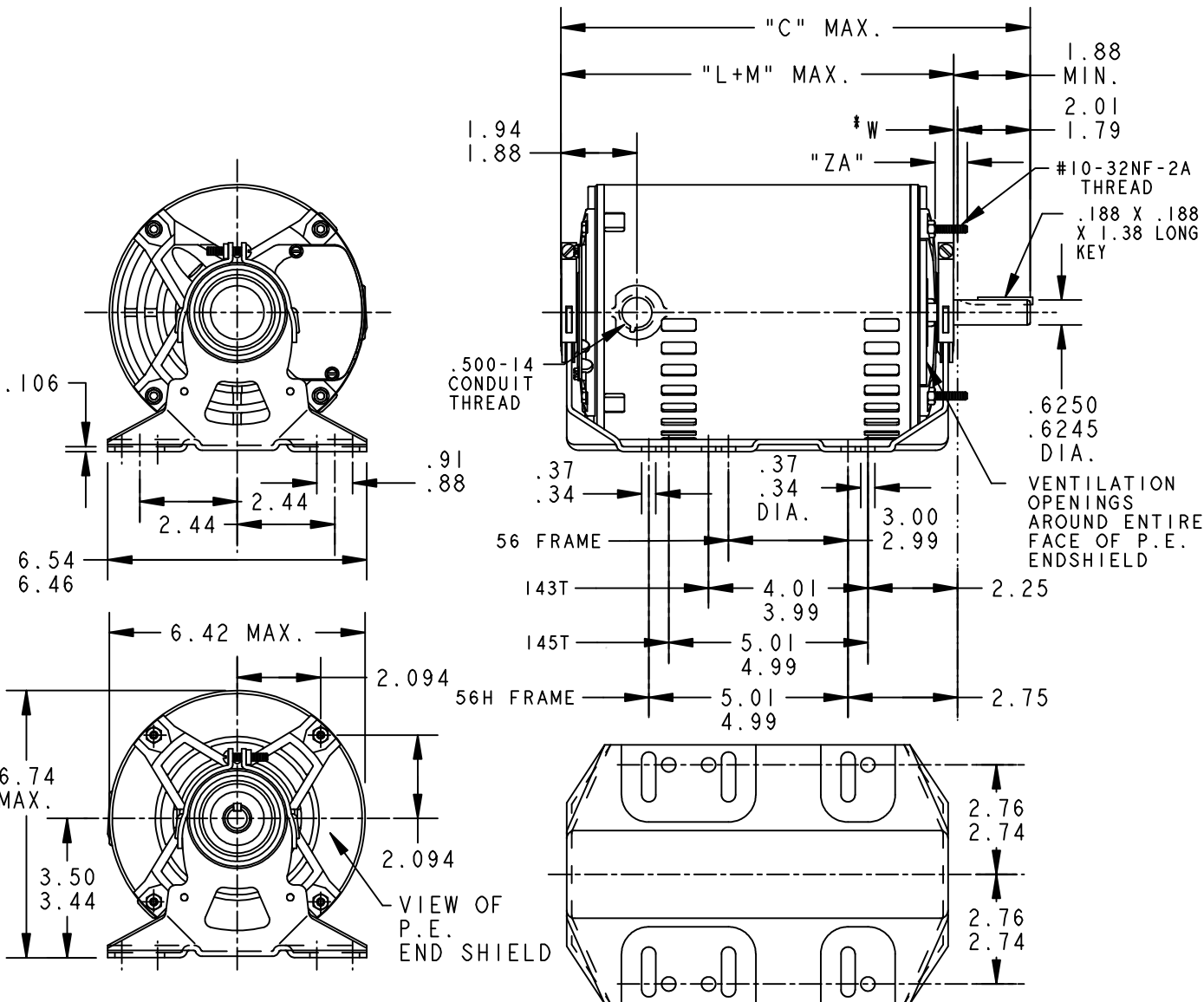
SIZE DRAWING NO. A

THIRD ANGLE PROJECTION




REVISIONS

REV.	DESCRIPTION	DATE	APPROVED
2	ADDED SHELL VENTS.	03/25/94	M.D. PAPE
3	CHG TO RBC FORMAT PER IS05-1777	03/20/06	SUDHA



2	K	48	56H	12.76	10.76	8.43	.62
I	K	49	56H	13.96	11.96	9.63	.62
P	TYPE	GE SIZE	NEMA FR	C	L+M	SHELL MIN.	ZA

\* W IS A VARIABLE CLEARANCE DUE TO VARIATIONS IN PARTS AND ASSEMBLY

SIGNATURES		DATE	 <b>REGAL-BELOIT CORPORATION</b>
MODEL	M.D. PAPE	03/23/94	
DETAIL	.	.	
CHECKED	.	.	
ENGRG	.	.	
MFG	.	.	
FOR ADDITIONAL INFO REFER TO:			<b>SIZE DRAWING</b> <b>52A109601</b>
APPLIED PRACTICES	QUALITY	.	
DIMENSIONS ARE IN INCHES	ISSUED	M.D. PAPE 03/23/94	<b>REV</b> <b>3</b>
MATERIAL	SOLID MODEL: 52A109601		<b>SCALE: 0.250</b> REF. No: .
			SHEET 1 of 1

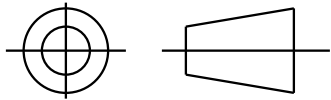
RBC PROPRIETARY AND CONFIDENTIAL INFORMATION

This document is the property of REGAL BELOIT CORPORATION ("RBC") including its subsidiaries and divisions and contains proprietary information of RBC. This document is loaned on the express condition that neither it nor the information contained therein shall be disclosed to others without the express written consent of RBC, and that the information shall be used by the recipient only as approved expressly by RBC. This document shall be returned to RBC upon its request. This document may be subject to certain restrictions under U.S. export control laws and regulations.

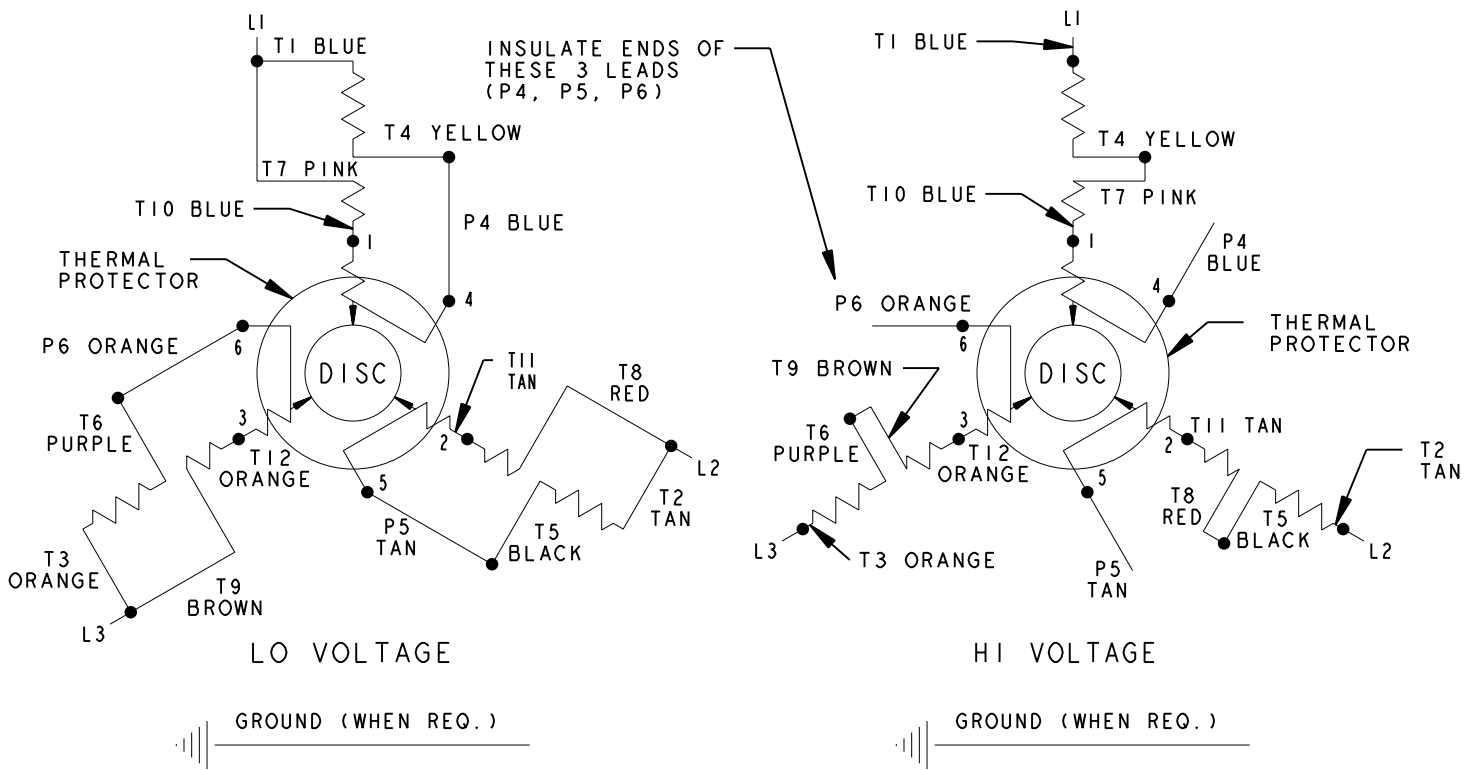
REVISIONS

REV.	DESCRIPTION	DATE	APPROVED
7	LO VOLTAGE: "T8 RED" WAS "T3 RED"	09/25/92	BLJ
8	LABEL WAS 185178	04/04/95	M.A.M.
9	CHG TO RBC FORMAT PER ISO5-1777	06/13/06	SUDHA

THIRD ANGLE PROJECTION



TYPE K - DUAL VOLTAGE - THREE PHASE -  
12 LEAD WDG. - 12 LEADS OUT - THERMAL PROTECTION



NOTE #1 - TO REVERSE ROTATION, INTERCHANGE THE EXTERNAL CONNECTIONS TO ANY TWO LINE LEADS.

LABEL - NP185178AA

FOR ADDITIONAL INFO REFER TO:	SIGNATURES	DATE
APPLIED PRACTICES	MODEL G.A.HILSMIER	01/05/56
DIMENSIONS ARE IN INCHES	DETAIL	.
TOLERANCE ON:	CHECKED	.
1 PL DECIMALS ± 0.1	ENGRG	.
2 PL DECIMALS ± 0.02	MFG	.
3 PL DECIMALS ± 0.005	QUALITY	.
ANGLES ± 1.0	ISSUED	B.L.J. 05/12/92
FRACTIONS ±		
FINISH ✓		
MATERIAL	SOLID MODEL: 113A423	



REGAL-BELOIT CORPORATION

TITLE  
**DIAGRAM - CONNECTION**  
**TYPE K MOTORS**

SIZE	DRAWING	REV
A		113A423 9
SCALE: 1.000	REF. No:	SHEET 1 of 1